

A171.8-UG-BF11S/BF12S

BARRIER-FREE, WALL MOUNTED, WATER COOLER WITH PUSHBUTTON OR SENSOR OPERATED STAINLESS STEEL BOTTLE FILLER

STANDARD FEATURES

Electric Water Cooler

- Rough-Ins Match Other Manufacturer's for Easy Replacement
- EZ Door[®] Filter, 30-Second Filter Replacement Option
- Lead Free
- Child or Adult ADA Compliant (when properly installed)
- Apron and One-Piece Bottom Wrapper is Satin Finish Or Gray Powder Coat Finish
- Flexible, Low Flow, Antimicrobial, Anti-Rotation, Non-Squirt Bubbler
- Auto-Stop allows Cartridge and Strainer Service Without Removing Cooler Deck To Access Water Supply Stop

Bottle Filler

- Hands-Free Sensor Operation or Pushbutton Operated Control
- ADA Compliant
- Vandal Resistant Seamless Stainless Steel Alcove
- Laminar Flow Nozzle 1.2 GPM (4.54 l/min) at 70 PSI
- BF12S Features Auto-Purge Function to Assure Fresh Water Supply
- BF12S Includes 120VAC/9.0VDC Plug-In Transformer
- BF12S Sensor Includes 20 Second Maximum Run Time

SUGGESTED SPECIFICATIONS

Electric Water Cooler

Provide and install Murdock[®] [Specify Model Number] self-contained, pressurized Water Cooler that delivers a minimum of **8.0 GPH** (30.3 LPH) of water at 50°F (10°C) cooled from 80°F (26.7°C) inlet water and 90°F (32.2°C) ambient. Unit shall be activated from an Antimicrobial front Pushbutton using less than 5 pounds of force. Bubbler shall deliver a 0.3 GPM flow, have an Antimicrobial Flexible Guard with an integrally designed non-squirt feature and operate on a water pressure range of 20-105 PSIG. Basin shall be constructed from 304 Stainless Steel and have an Integral Drain. Cabinet shall be either Galvanized or Galvannealed Steel with Gray Powder Coat Finish or Stainless Steel with Satin Finish. Cooling system shall use R-134a Refrigerant and be Capillary Tube regulated. Unit shall be listed by Underwriters Laboratories for both the US and Canada and is to be compliant to ANSI/ASHRAE 18. Unit shall be certified to Public Law 111-380 (NO-LEAD) and NSF/ANSI/CAN 61. Fixture shall meet ADA, ADA Standing Person, and ADA Child requirements when mounted appropriately. Unit shall still deliver ambient water temperature to the Bubbler in the absence of electrical power as long as there is a pressurized water supply. Optional -WF3EZ Easy Door[®] PFAS Water Filter Assembly shall provide 3000 gallon 3rd Party Certified Filter with Latched Drop-down Access Door for easy access when replacing the Filter cartridge.

Bottle Filler -BF11S

Stainless Steel Bottle Filling unit shall include Pushbutton Operated activation. (Refer to Housing detail below.)

Bottle Filler -BF12S

Stainless Steel Bottle Filling unit shall include Sensor Operated activation with a 20 second maximum run time. Auto-Purge Sensor function shall activate Bottle Filler for 10 second duration 24 hours after last activation as standard and allow for purge cycle adjustment. Optional -BCD (Bottle Counter Display) shall indicate the quantity of 16 oz disposable Plastic Bottles saved from land fill, display the Water Filter status and include LED Light to illuminate and brighten the Bottle Fill area when a Bottle is detected. (-BCD not offered with -BAT.)

Bottle Filler Housing construction to be heavy gauge, type 304 stainless steel with exposed surfaces polished to a #4 satin finish. Bottle Filler shall provide 1.2 GPM flow rate with a Laminar Flow Spout to minimize splashing.

Complies with the following standards:



Federal Public Law 111-380 (No Lead)



NSF/ANSI/CAN 61

ANSI/ASHRAE 18

3000 Gallon PFAS Filter Certifications **Product Warranty**

WARNING: Cancer and Reproductive Harm - www.P65Warnings.ca.gov

springH2O[®]
BOTTLE FILLERS BY MURDOCK[®]



Model A171108F-UG-BF12S-BCD Shown
PATENT# 10,100,933
PATENT# D873,606



"RATED FOR INDOOR USE ONLY"

Model Number	GPH*	Rated Watts	Full Load Amps	Approx. Shipping Weight
A171408F-UG-BF	8.0	335	4.1	100 lbs.

* GPH of 50°F water at 90°F ambient room temperature and 80°F inlet water temperature
Compressor motor operates on 115 Volt / 60 Hz single phase.

MODEL:

(Must Specify Water Cooler)

FLEXIBLE BUBBLER

- A171108F-UG Gray Finish Cooler
- A171408F-UG Satin Stainless Finish (Use for -EG Option)

STAINLESS STEEL BUBBLER

- A171108S-UG Gray Finish Cooler
- A171408S-UG Satin Stainless Finish (Use for -EG Option)

BOTTLE FILLER: (Must Specify)

- BF11S Pushbutton Operated Stainless Steel Bottle Filler
- BF12S Sensor Operated Stainless Steel Bottle Filler
- BF12S-BAT Battery Sensor Operated Stainless Steel Bottle Filler
- BF12S-BCD Sensor Operated Stainless Steel Bottle Filler with Bottle Counter / Filter Status Display

OPTIONS: (Additional costs may apply.)

- EG22 Enviro-Glaze[®] Matte Black Powder Coat Bottle Filler, Apron and Lower Cabinet
- LOGO Customer Specified Logo / Graphics

ACCESSORIES: (Additional costs may apply. Items packaged separately.)

- AP Auto-Purge Function Controller (BF12S Models)¹
- WF3EZ 3000-Gallon Easy Door[®] PFAS Water Filter¹ NSF/ANSI, PFAS, Lead, Bacteria, Chlorine, Microplastics

NOTES:

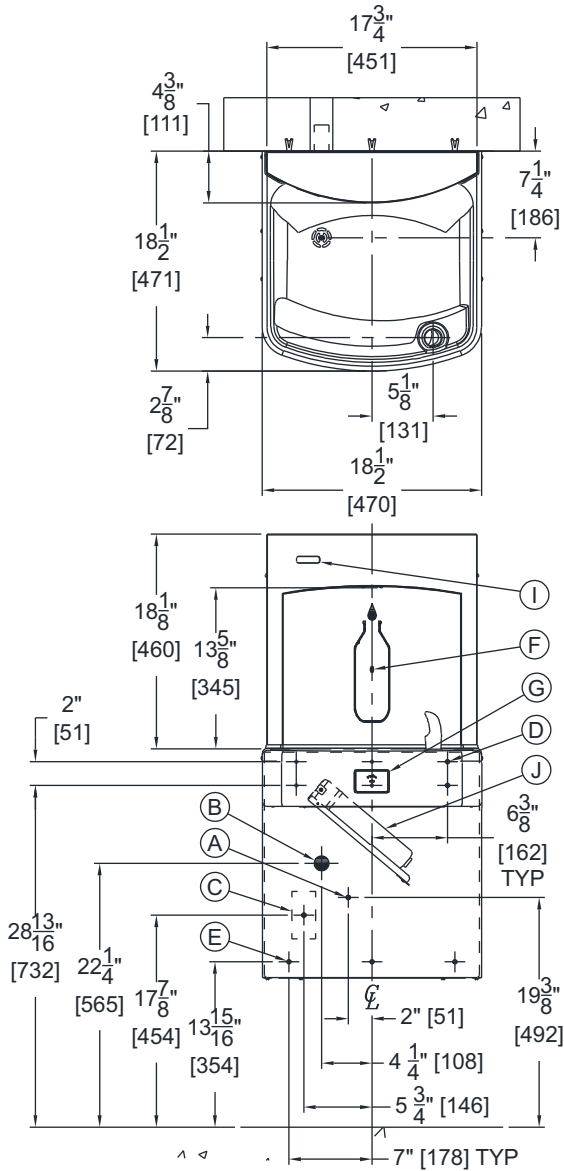
1 - Refer to Supplemental Submittal Sheet for Product Details

Compatible Mounting Support Carrier

Jay R. Smith Mfg. Co. Figure # 0830 <https://www.JRSmith.com>

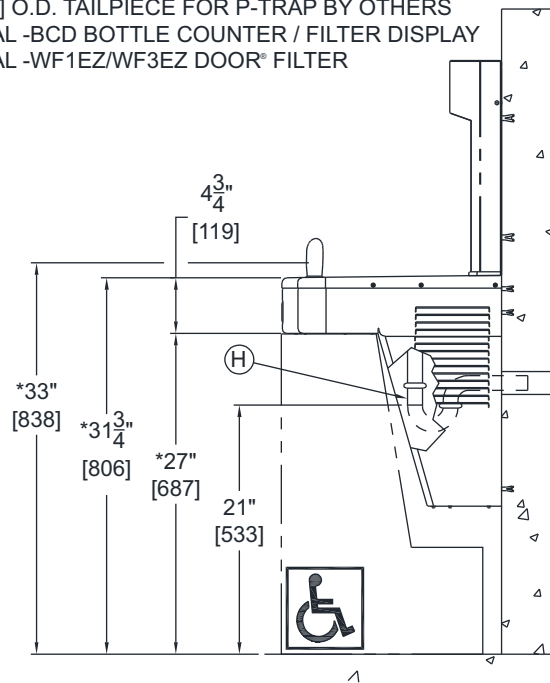
A171.8-UG-BF11S/BF12S

BARRIER-FREE, WALL MOUNTED, WATER COOLER WITH
PUSHBUTTON OR SENSOR OPERATED STAINLESS
STEEL BOTTLE FILLER



NOTES:

- A. 3/8" O.D. SUPPLY INLET
- B. WASTE OUTLET FOR P-TRAP BY OTHERS FOR PROVIDED 1-1/4" O.D. TAILPIECE
- C. ELECTRICAL SERVICE ROUGH FOR CHILLER AND -BF12S MODELS
- D. Ø3/8" HANGER BRACKET PUNCHING, 6 PLACES FOR ANCHORING HARDWARE BY OTHERS (REFERENCE)
- E. Ø1/4" PUNCHING, 3 PLACES FOR ANCHORING HARDWARE BY OTHERS (REFERENCE)
- F. -BF12S BOTTLE FILLER SENSOR (SHOWN)
- G. FOUNTAIN PUSHBUTTON CARTRIDGE
- H. 1-1/4" [32] O.D. TAILPIECE FOR P-TRAP BY OTHERS
- I. OPTIONAL -BCD BOTTLE COUNTER / FILTER DISPLAY
- J. OPTIONAL -WF1EZ/WF3EZ DOOR® FILTER



GENERAL NOTES:

- 1. ALL DIMENSIONS ARE IN INCHES [MM]
- 2. ALLOW 4 INCHES [102 MM] MINIMUM CLEARANCE PER SIDE FOR VENTILATION
- *3. DIMENSIONS SHOWN ARE FOR ADA ADULT HEIGHT. ADJUST VERTICAL DIMENSIONS AS NECESSARY TO COMPLY WITH FEDERAL, STATE, & LOCAL CODES
- 4. STOP VALVE, P-TRAP, & ELECTRICAL OUTLET NOT SUPPLIED
- 5. IMPORTANT: COOLERS MUST BE ATTACHED TO WALL WITH APPROPRIATE ANCHOR SCREWS

IMPORTANT: Dimensions are shown for reference only. Refer to product Installation Manual for complete details prior to Rough-in.

SELECTION SUMMARY
& APPROVAL FOR
MANUFACTURING

Model Number & Options _____ Quantity _____

Company _____

Contact _____ Title _____

Signature (Approval for Manufacturing) _____ Date _____

All dimensions are subject to manufactures tolerance of plus or minus 1/4" nominal and subject to change without notice. Murdock® assumes no responsibility for use of void or superseded data. Dimensions may change with the addition of optional accessories. Murdock® Mfg., Member of Morris Group International®. Please visit www.murdockmfg.com for most current specifications.