

A172.8-UG-VR-D1-BF Series

BASE MODEL A172408S-UG-VR-D1-BF
BARRIER FREE, VANDAL RESISTANT, UNIVERSAL BI-LEVEL, WALL MOUNTED WATER COOLER WITH VANDAL RESISTANT PUSHBUTTON OR SENSOR OPERATED BOTTLE FILLER

STANDARD FEATURES

Electric Water Cooler

- Rough-Ins Match Other Manufacturer's for Easy Replacement
- EZ Door[®] Filter, 30-Second Filter Replacement Option
- Child Or Adult Ada Compliant (When Properly Installed)
- Universal Bi-Level - Can Be Installed Left Unit High Right Unit Low or Opposite With No Additional Parts Required.
- Apron and One-Piece Bottom Wrapper is Satin Finish
- 304 Stainless Steel Basin And Flush Mounted Chrome Plated Brass Button
- Polished Stainless Steel, Vandal Resistant, Anti-Rotation, Non-Squirt Bubblers
- Auto-stop Allows Cartridge And Strainer Service Without Removing Cooler Deck To Access Water Supply Stop
- Lead-Free

Bottle Filler

- Hands-Free Sensor or Pushbutton Operation
- ADA Reach Compliant
- 100-Mesh Inlet Strainer
- 115V Plug-In Transformer with -BF2S Only
- 1 GPM Laminar Flow

SUGGESTED SPECIFICATIONS

Electric Water Cooler

Model A172408S-UG-VR-D1 is a bi-level, self-contained, pressure Water Cooler that delivers a minimum of **8.0 GPH** (30.3 LPH) of water at 50°F (10°C) cooled from 80°F (26.7°C) inlet water and 90°F (32.2°C) ambient. Units shall be activated by Vandal Resistant Chrome Plated Brass Front Pushbuttons by using less than 5 pounds of force. Lead-Free Bubbler shall deliver a 0.5 GPM flow, have an integrally designed non-squirt feature and operate on a water pressure range of 20-105 PSIG. Basin shall be constructed from 304 Stainless Steel and have an Integral Drain. Cabinet shall be Stainless Steel with Satin Finish. Cooling system shall use R-134a Refrigerant and be Capillary Tube regulated. Unit shall be listed by Underwriters Laboratories for both the US and Canada and is to be compliant to ANSI/ASHRAE 18. Unit shall be certified to Public Law 111-380 (NO-LEAD) and NSF/ANSI/CAN 61. Fixture meets ADA, ADA Standing Person, and ADA Child requirements when mounted appropriately. Unit shall still deliver ambient water temperature to the Bubbler in the absence of electrical power as long as there is a pressurized water supply.

Bottle Filler BF1S

BF1S is a Pushbutton Operated Bottle Filler. Housing construction is heavy gauge Stainless Steel with a satin finish. Bottler Filler shall be activated using a pneumatically operated Hemispherical Pushbutton using less than 5 pounds of force. Bottle Filler shall provide approximately 1 GPM flow rate with a Laminar Flow Spout to minimize splashing.

Bottle Filler BF2S

BF2S is a 9 volt Sensor Operated Bottle Filler. Housing construction is heavy gauge Stainless Steel with a satin finish. Optional -BCD (Bottle Counter Display) indicates the quantity of 16 oz disposable Plastic Bottles saved from a landfill and also displays the Water Filter status. Bottle Filler shall provide approximately 1 GPM flow rate with a Laminar Flow Spout to minimize splashing.

Complies with the following standards:



Federal Public Law 111-380 (No Lead)



NSF/ANSI/CAN 61

ANSI/ASHRAE 18



WARNING: Cancer and Reproductive Harm - www.P65Warnings.ca.gov



Model A172408S-UG-VR-D1-BF2S-BCD Shown
PATENT# 10,100,933



Maintenance Advantage[®]
Water Cooler by Murdock Manufacturing

“RATED FOR INDOOR OR OUTDOOR USE”

Model Number	GPH*	Rated Watts	Full Load Amps	Approx. Shipping Weight
A172408S-UG-VR-D1-BF	8.0	335	4.1	155 lbs.

* GPH of 50°F water at 90°F ambient room temperature and 80°F inlet water temperature. Compressor motor operates on 115 Volt / 60 Hz single phase.

MODEL:
(Must Specify)

STAINLESS STEEL BUBBLER

- A172408S-UG-VR-D1 Satin Stainless Finish (Standard)

FLEXIBLE BUBBLER

- A172408F-UG-VR-D1 Satin Stainless Finish

MUST SPECIFY BOTTLE FILLER:

- BF1S Bottle Filler with Pushbutton Operation
- BF2S Bottle Filler with Sensor Operation
- BF2S-BAT Bottle Filler with Battery Operated Sensor Operation
- BF2S-BCD Bottle Filler with Sensor Operation with Bottle Counter Display

OPTIONS: (Additional costs may apply.)

- LOGO Customer Specified Logo / Graphics
- 220V 220 Volt / 50 Hz or 60Hz Compressor

ACCESSORIES:

(Additional costs may apply. Accessory items are packaged separately.)

- WF1EZ 1500-Gallon Capacity EZ Door[®] Filter¹ 30-Second Replacement (Patent Pending)
- WF3EZ 3000-Gallon EZ Door[®] PFAS Filter¹ NSF/PFAS/Lead Bacteria/Chlorine/Microplastics
- SK5 Cane Detection Skirt for Upper Unit¹ Skirt finish provided to match Model selected above (P.N. A000G000-SK5 Gray, A0004000-SK5 Satin Stainless)

NOTES: ¹ - Refer to Supplemental Submittal Sheet for Details .

Compatible Mounting Support Carrier

Jay R. Smith Mfg. Co. Figure # 0834-4P <https://www.JRSmith.com>

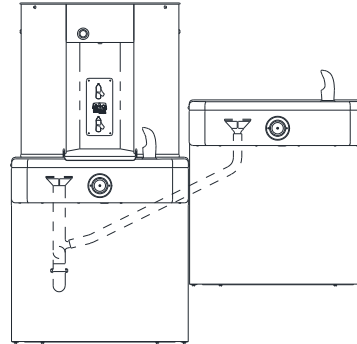
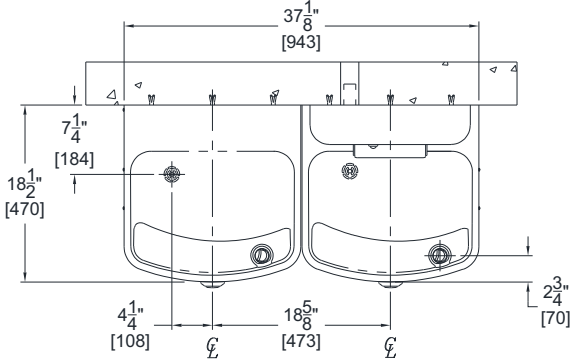
NOTE: Units installed with exposure to extreme hot or cold temperatures require adequate protection. Units are not freeze resistant. Refer to Installation Instructions for complete details.

3000 Gallon PFAS Filter Certifications

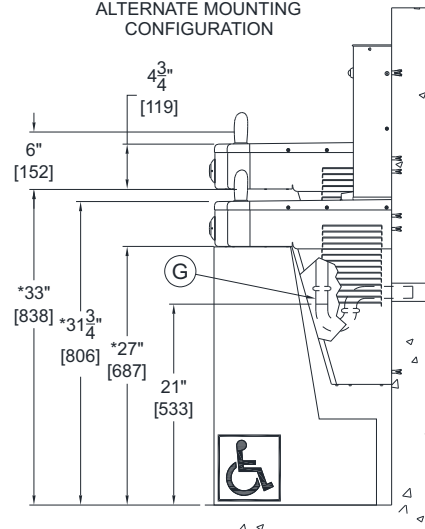
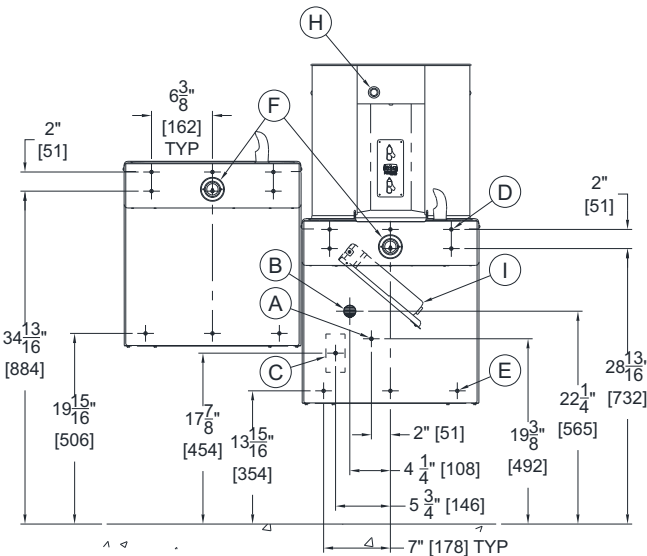
Product Warranty

A172.8-UG-VR-D1-BF Series

BASE MODEL A172408S-UG-VR-D1-BF
BARRIER FREE, VANDAL RESISTANT, UNIVERSAL BI-LEVEL,
WALL MOUNTED WATER COOLER WITH VANDAL RESISTANT
PUSHBUTTON OR SENSOR OPERATED BOTTLE FILLER



ALTERNATE MOUNTING CONFIGURATION



GENERAL NOTES:

1. ALL DIMENSIONS ARE IN INCHES [MM]
2. ALLOW 4 INCHES [102MM] MINIMUM CLEARANCE PER SIDE FOR VENTILATION
- *3. DIMENSIONS SHOWN ARE FOR ADA ADULT HEIGHT. ADJUST VERTICAL DIMENSIONS AS NECESSARY TO COMPLY WITH FEDERAL, STATE & LOCAL CODES
4. STOP VALVE, P-TRAP & ELECTRICAL OUTLET NOT SUPPLIED
5. IMPORTANT: COOLERS MUST BE ATTACHED TO WALL WITH APPROPRIATE ANCHOR SCREWS

- A. 3/8" O.D. SUPPLY INLET
- B. WASTE OUTLET FOR P-TRAP BY OTHERS FOR PROVIDED 1-1/4" O.D. TAILPIECE
- C. ELECTRICAL SERVICE ROUGH
- D. Ø3/8" HANGER BRACKET PUNCHING, 6 PLACES FOR ANCHORING HARDWARE BY OTHERS
- E. Ø1/4" PUNCHING, 3 PLACES FOR ANCHORING HARDWARE BY OTHERS
- F. PUSHBUTTON CARTRIDGE
- G. 1-1/4" [32] O.D. TAILPIECE FOR P-TRAP BY OTHERS
- H. BOTTLE FILLER PUSHBUTTON
- I. OPTIONAL -WF1EZ/WF3EZ DOOR® PFAS FILTER

IMPORTANT: Dimensions are shown for reference only. Refer to product Installation Manual for complete details prior to Rough-in.

SELECTION SUMMARY & APPROVAL FOR MANUFACTURING

Model Number & Options _____	Quantity _____
Company _____	
Contact _____	Title _____
Signature (Approval for Manufacturing) _____	Date _____

All dimensions are subject to manufactures tolerance of plus or minus 1/4" nominal and subject to change without notice. Murdock® assumes no responsibility for use of void or superseded data. Dimensions may change with the addition of optional accessories. Murdock® Mfg., Member of Morris Group International®. Please visit www.murdockmfg.com for most current specifications.