

## GY Series

### MODEL GYE24 WALL MOUNTED BOTTLE FILLER WITH ANGLED BI-LEVEL DRINKING FOUNTAINS

#### STANDARD FEATURES

- Bottle Filler and Drinking Fountain Adult ADA Compliant (when properly installed)
- Optionally Available with "Hands Free" Controls
- Extra Height Bottle Filler with Laminar Flow Spout
- Resistant to Sunlight, Heat, Moisture and wear
- 18 Gauge, Type 304 Stn Stl Drinking Fountain Bowls
- 12 Gauge, Heavy Duty Stainless Steel Construction with Corrosion and Scratch Resistant Finish
- Polished Stainless Steel, Anti-Rotation, Non-Squirt Bubbler
- Heavy Duty, Stainless Steel Access Covers
- 1/4" Thick Stainless Steel Mounting Plate
- Lead and Cyst Water Filter (N/A with -FRA option)
- 100-Mesh Inlet Strainer

#### SUGGESTED SPECIFICATIONS

Wall Mounted Round Bi-Level Bottle Filler with Drinking Fountain shall be Murdock model GYE24. Construction shall be 12 gauge, all stainless steel with 18 gauge type 304 stainless steel fountain bowls. Provide 1/4" thick stainless steel mounting plate to securely anchor unit to wall. Access Panels shall be secured with vandal-resistant stainless steel screws. Drinking Fountain shall be activated by a front mounted self-closing Pushbutton with Cartridge Valve Assembly, using less than 5 pounds of force to activate with an adjustable stream regulator controlling the water flow. Bubblers shall be stainless steel with non-squirt feature and operate on water pressure range of 20-105 PSIG. Extra height Bottle Filler shall be activated a Pneumatic Pushbutton using less than 5 lbs of force to activate and provide 1.0 GPM from Laminar Flow Spout. Provide unit with Elbow Waste connection. **P-Trap shall be installer provided behind wall (Optional -PT P-Trap with access below fixture is available).** Unit shall contain a 100-mesh Inlet Strainer, with lead and cyst Filter. Unit shall be certified to Public Law 111-380 (NO-LEAD) and NSF/ANSI/CAN 61. Fixture to meet ADA and ADA Reach requirements when mounted appropriately.

Complies with the following standards:



Federal Public Law 111-380 (No Lead)



NSF/ANSI/CAN 61



Model: GYE24-R Shown

**"FOR INDOOR AND OUTDOOR USE"**

#### MODEL:

(Must Specify)

- GYE24 Satin Stainless Finish (Shown)
- GYE25 Green Powder-Coated
- GYE26 Red Powder-Coated
- GYE27 Blue Powder-Coated

Custom color finishes available upon request

#### ADA DRINKING FOUNTAIN ORIENTATION

(Must Specify)

- L ADA Drinking Fountain Left Side (Opposite)
- R ADA Drinking Fountain Right Side (Shown)

#### OPTIONAL ACCESSORIES

(additional costs may be incurred)

- FRA3 Freeze Resistant Valve, Three Valves<sup>1</sup> (Less Filter & Sensor)
- LOGO Customer specified logo
- LSR Bowl with Leaf and Debris Strainer<sup>1</sup>
- PT 1-1/4" OD P-Trap (Access Below Fixture) (Not Available with -FRA3)
- SK8 Cane Detection Skirt (for Non-ADA arm)<sup>1</sup>
- SOC Concealed Sensor Operated Drinking Fountain (N/A with -FRA3<sup>1</sup>) Battery Operated Standard, Plug-in Power Optional
- SO Sensor Operated Bottle Filler (N/A with -FRA3<sup>1</sup>) Battery Operated Standard, Plug-in Power Optional
- 316 Type 316 Stainless Steel Construction

Option Notes:

<sup>1</sup>See separate option sheet



Recyclable Product



Water Conserving Product

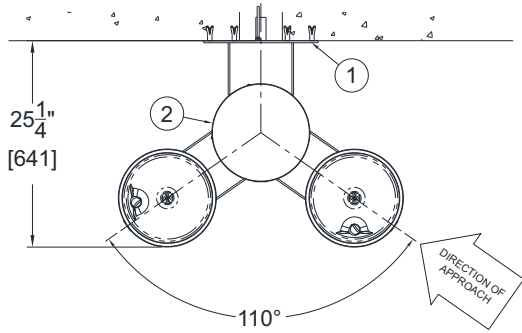
**Product Warranty**

**WARNING:** Cancer and Reproductive Harm - [www.P65Warnings.ca.gov](http://www.P65Warnings.ca.gov)

\* Valve specifications:  
Minimum/Maximum  
Pressure 30 to 100 psi.

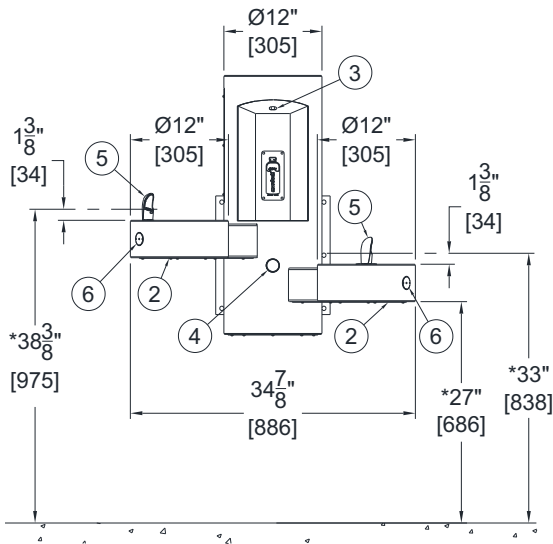
**GY Series**

**MODEL GYE24**  
WALL MOUNTED BOTTLE FILLER  
WITH DRINKING FOUNTAINS

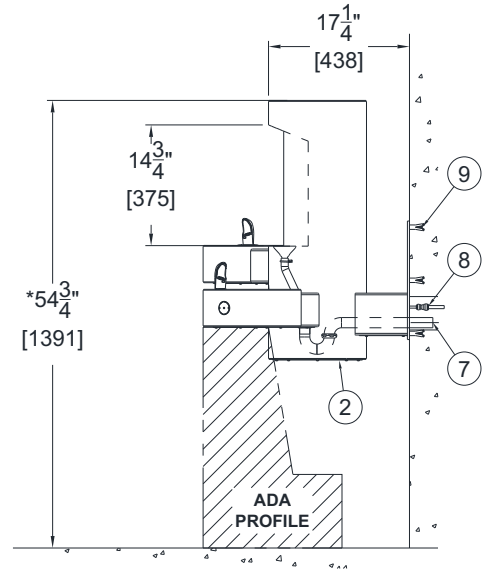


NOTES:

1. 1/4" THICK STAINLESS STEEL MOUNTING PLATE
2. REMOVABLE ACCESS PANELS
3. BOTTLE FILLER SPOUT
4. BOTTLE FILLER PUSHBUTTON
5. DRINKING BUBBLER
6. DRINKING FOUNTAIN PUSHBUTTON WITH CARTRIDGE VALVE
7. OPTIONAL -PT 1-1/4" OD P-TRAP SHOWN
8. SUPPLY CONNECTION
9. INSTALLER PROVIDED WALL ANCHORS AND ANCHORING HARDWARE



**GYE24-R SHOWN**



GENERAL NOTES:

1. ALL DIMENSIONS ARE IN INCHES [MM].
- \*2. DIMENSIONS SHOWN ARE FOR RECOMMENDED ADULT HEIGHT. ADJUST VERTICAL DIMENSIONS AS NECESSARY TO COMPLY WITH FEDERAL, STATE, & LOCAL CODES.
3. STOP VALVE NOT PROVIDED.

**IMPORTANT:** Refer to installation instructions for complete rough-in and technical data.  
**NOTE:** Some options may change standard roughs.

SELECTION SUMMARY  
& APPROVAL FOR  
MANUFACTURING

Model Number & Options \_\_\_\_\_ Quantity \_\_\_\_\_

Company \_\_\_\_\_

Contact \_\_\_\_\_ Title \_\_\_\_\_

Signature (Approval for Manufacturing) \_\_\_\_\_ Date \_\_\_\_\_

All dimensions are subject to manufactures tolerance of plus or minus 1/4" nominal and subject to change without notice. Murdock<sup>®</sup> assumes no responsibility for use of void or superseded data. Dimensions may change with the addition of optional accessories. Murdock<sup>®</sup> Mfg., Member of Morris Group International<sup>®</sup>. Please visit [www.murdockmfg.com](http://www.murdockmfg.com) for most current specifications.